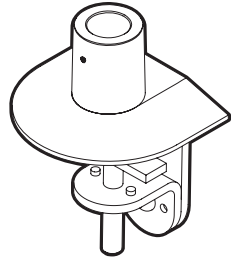


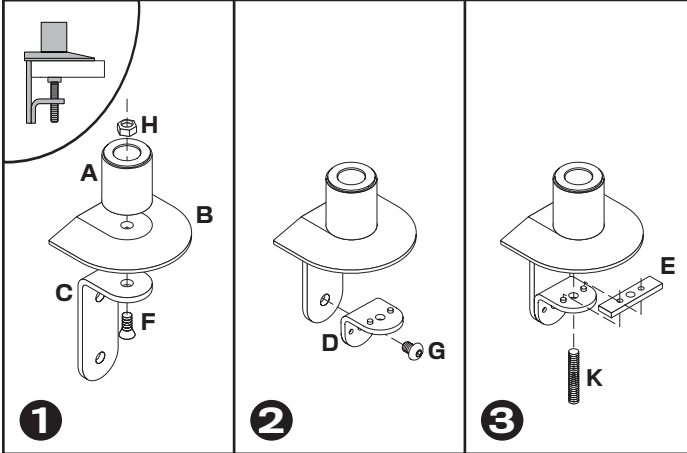
Innovative Ergonomic Solutions companies



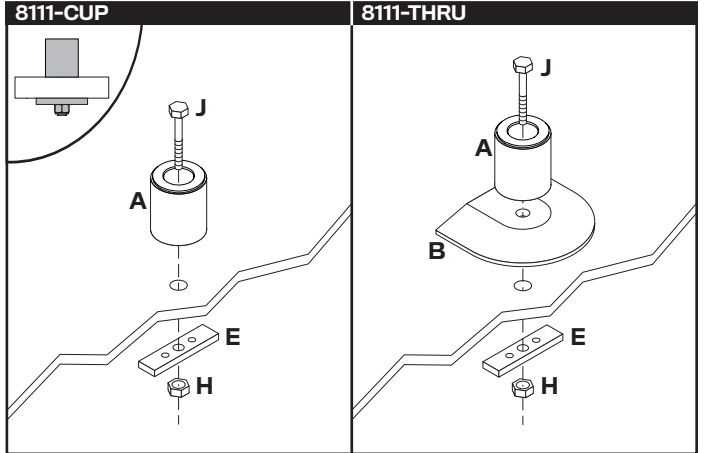
FLEXMOUNT® 8111

Installation Instructions

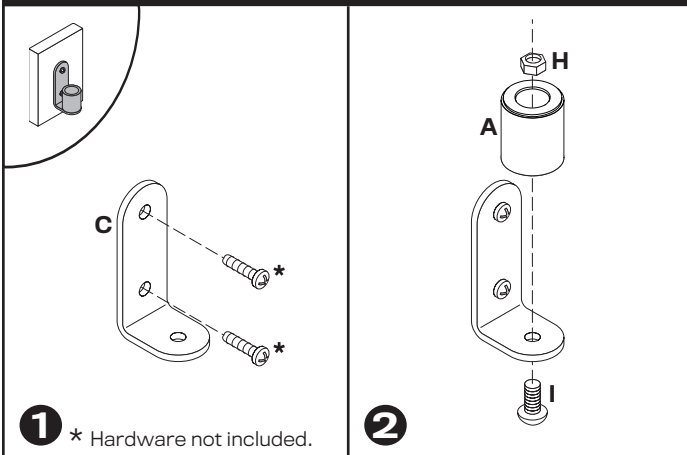
Desk Clamp



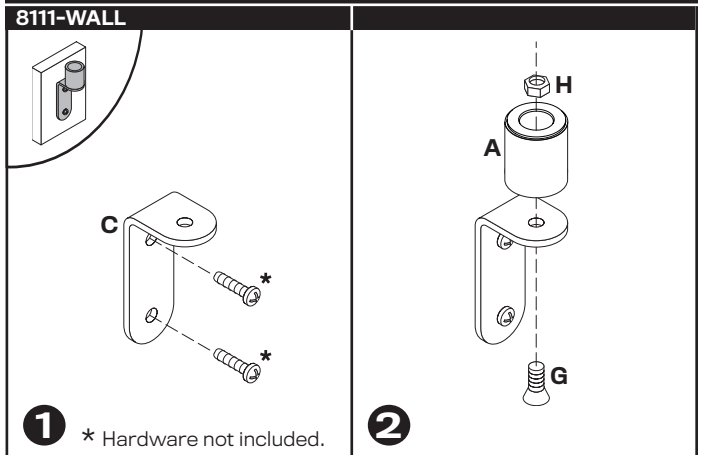
Thru-Desk



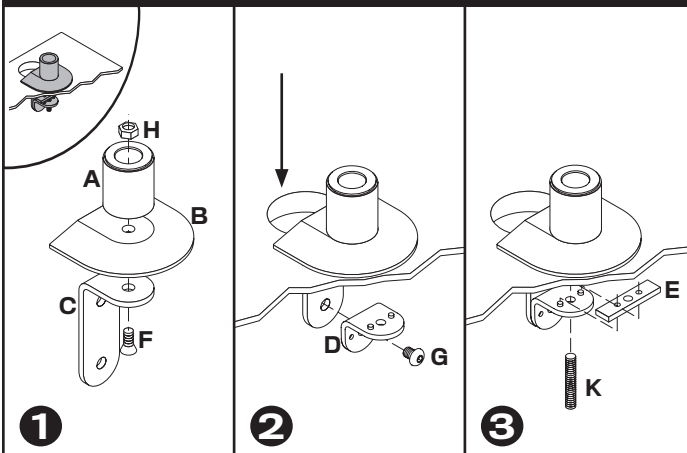
Wall Mount



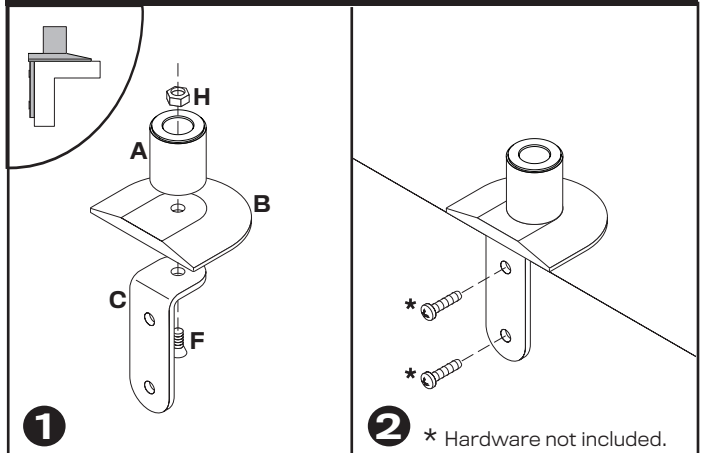
Reverse Wall Mount



Grommet Hole



Side Bolt



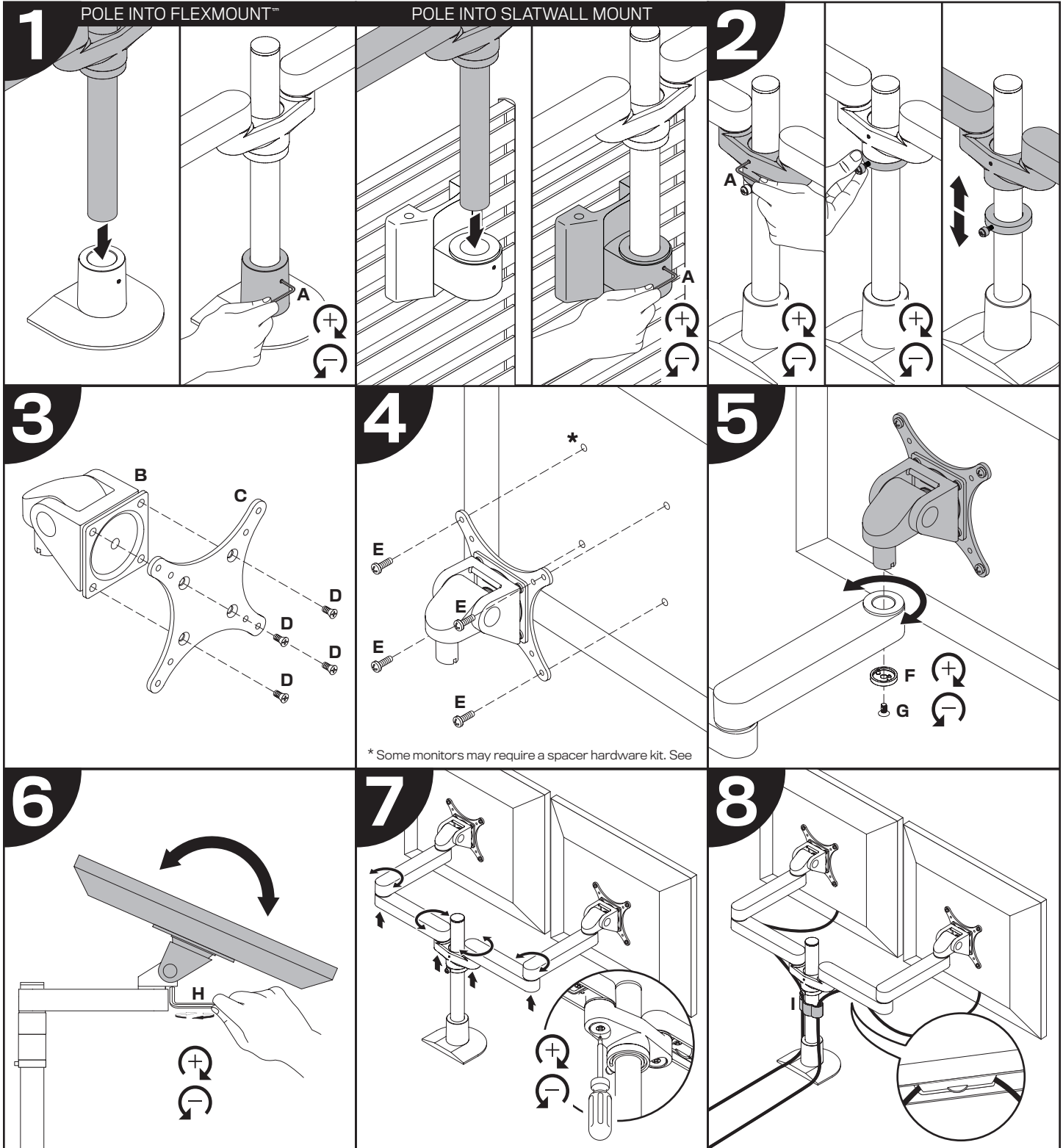
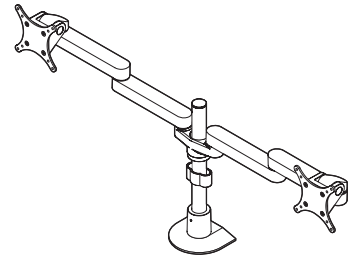
FLEXMOUNT® 8111

Parts List

ITEM QUANTITY	DESCRIPTION / PART NO.
A 1	Mount Column 401328
B 1	Base Plate 406656
C 1	Large "L" Bracket 701117
D 1	Small "L" Bracket 111728
E 1	Rectangular Spacer 701544
F 1	3/8-16 x 1" Flat Socket Cap Screw 701124


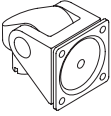


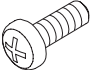
ITEM QUANTITY	DESCRIPTION / PART NO.
G 1	3/8-16 x 1/2" BHSCS 702898
H 1	3/8-16 Nylon Stop Nut 701418
I 1	3/8-16 x 7/8" Button Socket Cap Screw 701122
J 1	3/8-16 x 2-1/2" Hex Head Bolt 700268
K 1	1/2-13 x 3" Socket Set Screw 701126

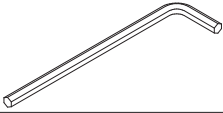
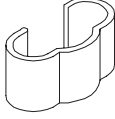
MODEL 9163



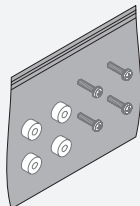
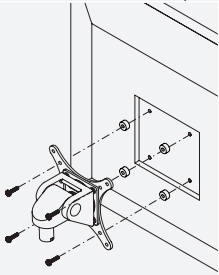
Innovative Ergonomic Solutions companies

MODEL 9163

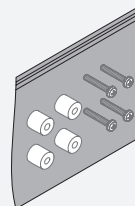
ITEM	DESCRIPTION / PART NO.
A 	3/32" Allen Wrench 1 700146
B 	Monitor Tilter 1 405397
C 	75/100mm VESA® Adapter Plate 1 105587
D 	10-32 x 3/8" Phillips Flat Head Screw 1 702281 (4-pack)
E 	M4 x 12mm Phillips Pan Head Screw 1 702096 (4-pack)

ITEM	DESCRIPTION / PART NO.
F	Dog Washer 1 105189
G	10-32 x 3/8" FPhMS w/Lock Patch 1 705198
H 	7/32" Allen Wrench 1 701127
I 	Cable Clip 1 702506

OPTIONAL SPACER KITS In some cases, the mounting surface on your monitor may be recessed further than permitted by VESA® standards. As a result, a spacer kit may be required.



.25" Spacer Hardware Kit
 (4) .25" Spacers
 (4) M4 x 18mm Phillips Pan Head Screws
 Order # P404923-B

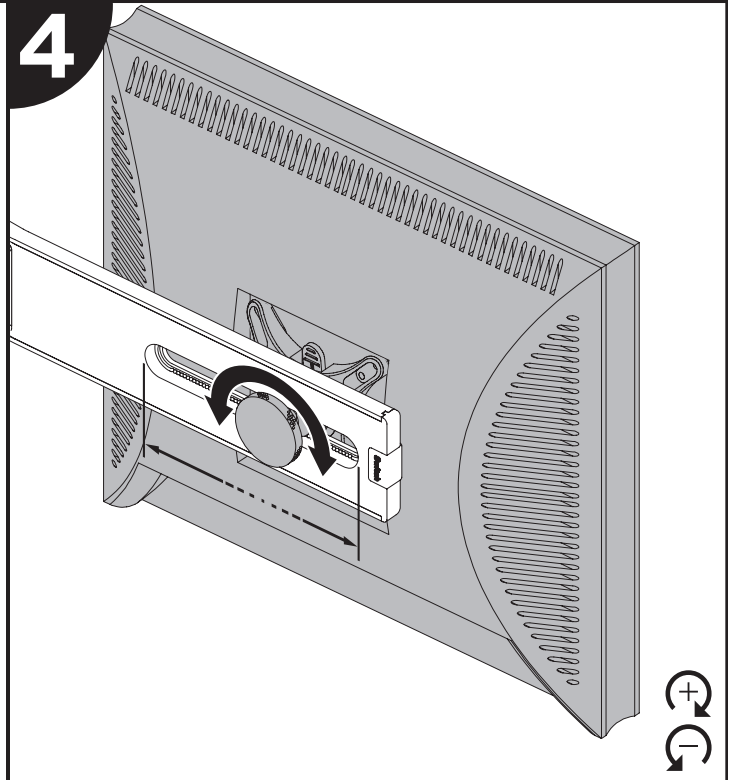
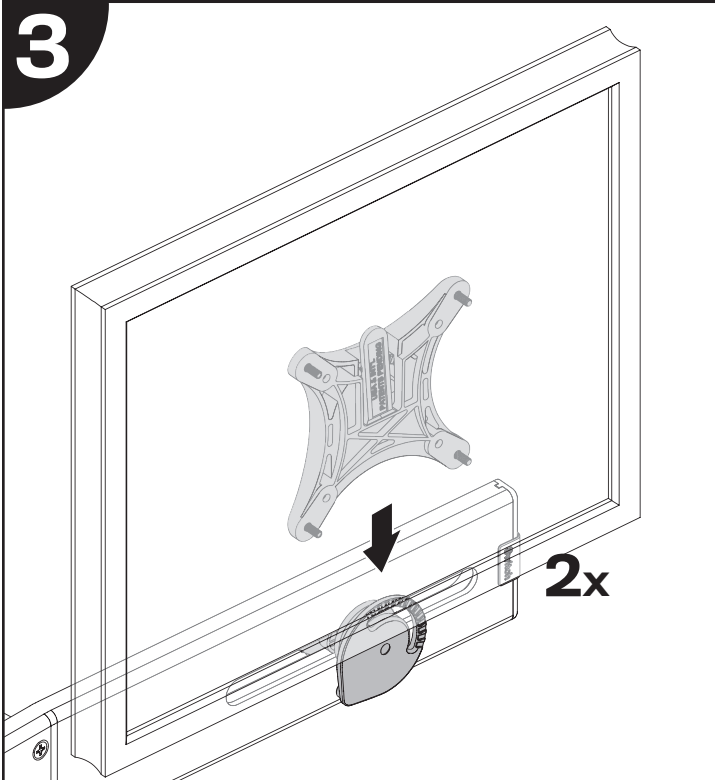
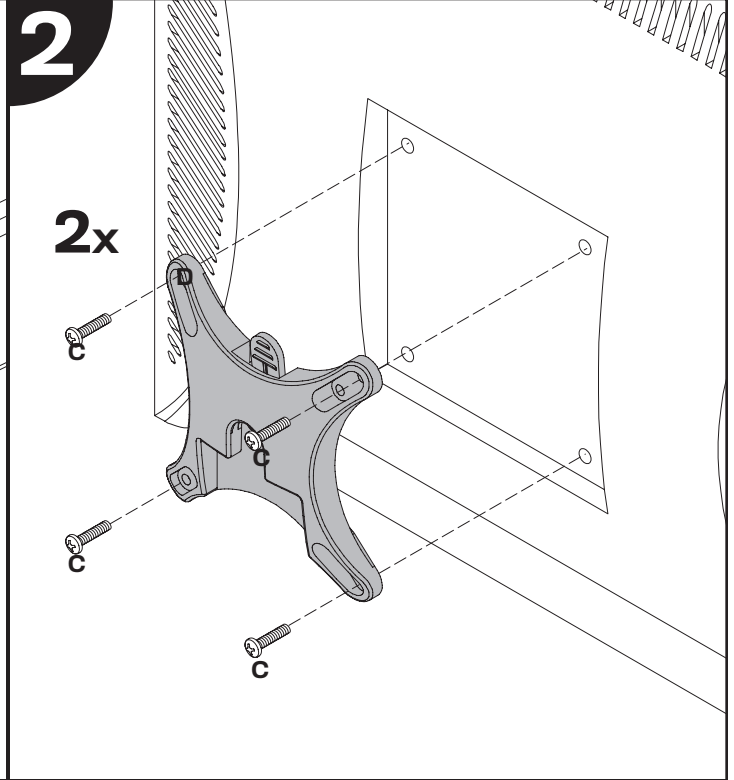
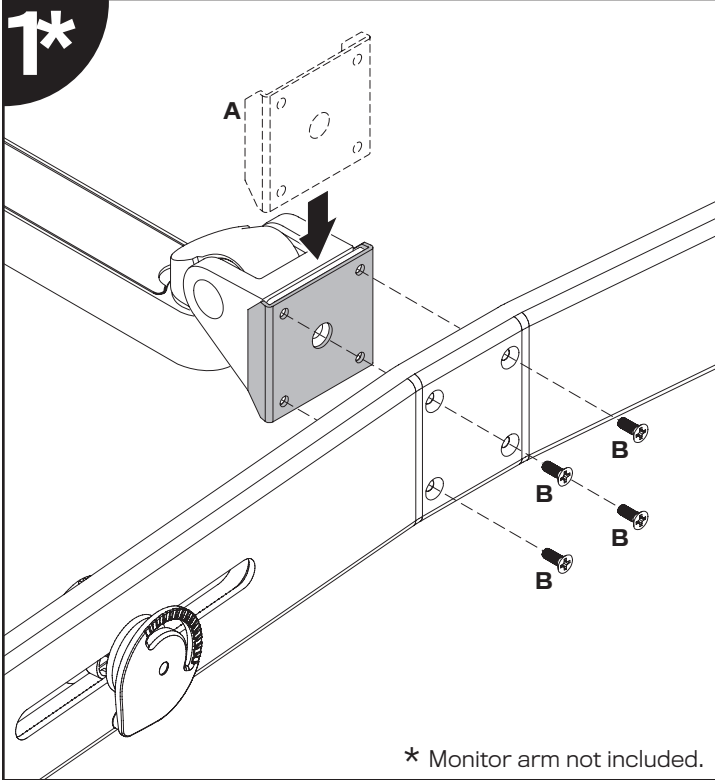
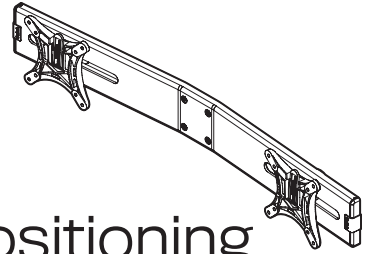


.5" Spacer Hardware Kit
 (4) .5" Spacers
 (4) M4 x 25mm Phillips Pan Head Screws
 Order # P404923-C

Innovative Ergonomic Solutions companies

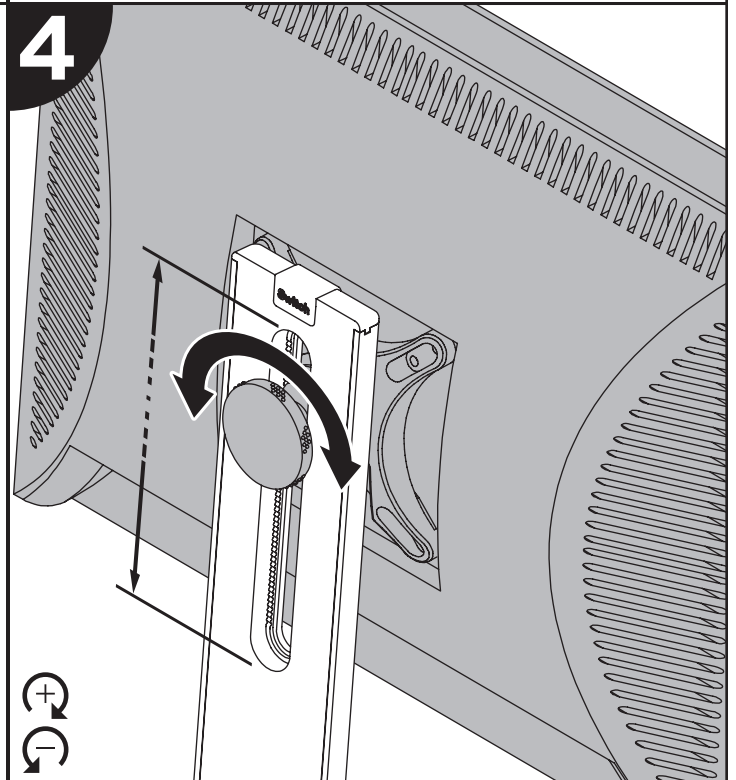
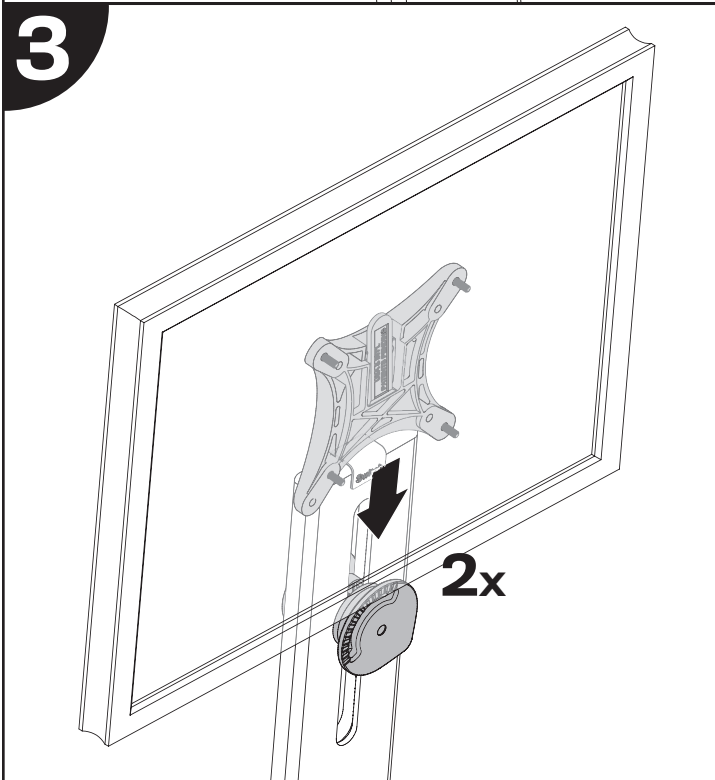
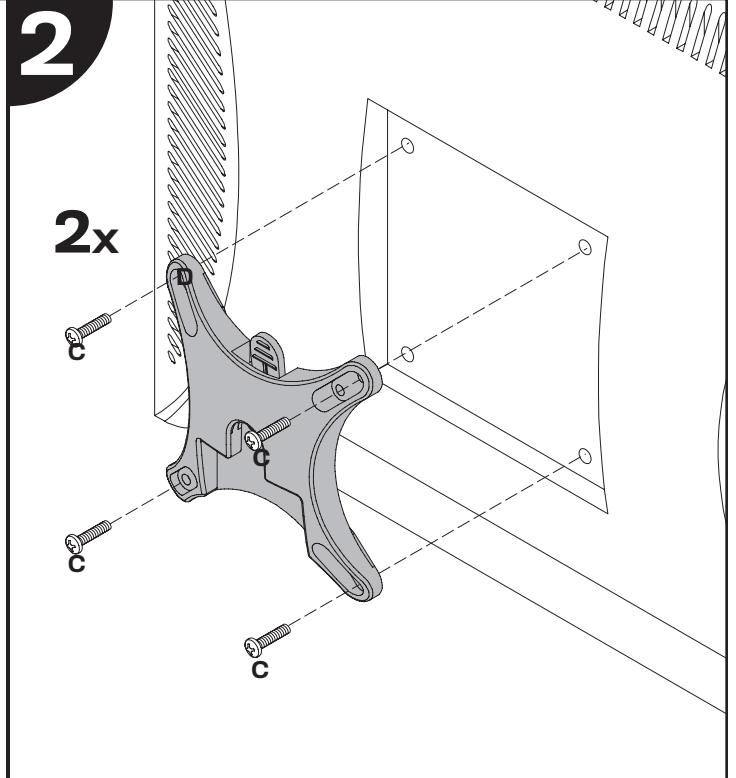
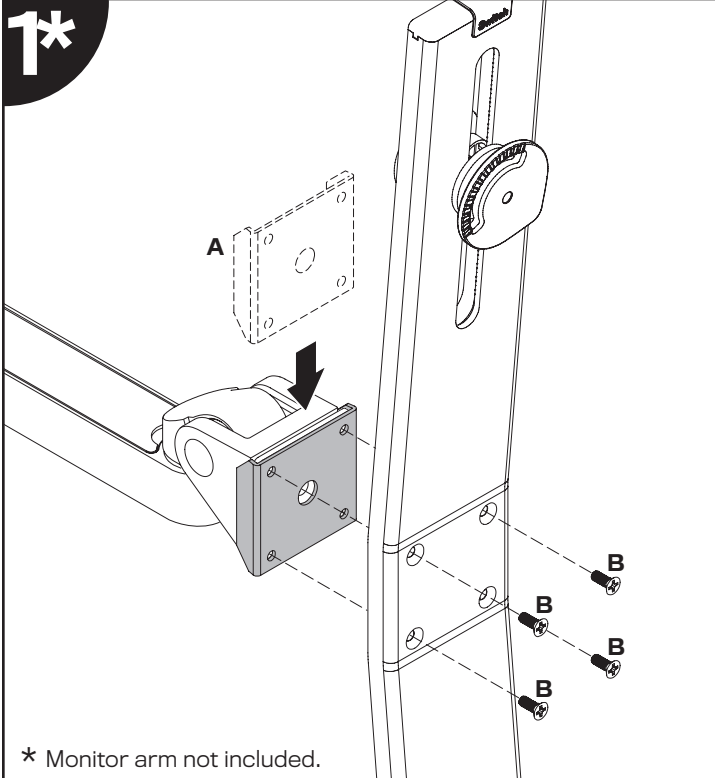
SWITCH™

Installation Instructions | Horizontal Positioning



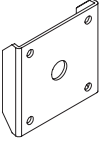
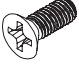
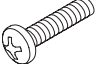
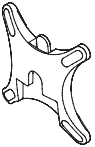
SWITCH™

Installation Instructions | Vertical Positioning



SWITCH™

Parts List

ITEM	DESCRIPTION / PART NO.	QUANTITY
A 	Rotation Prevention Bracket 106271	1
B 	10-32 x 1/2" FPhMS 709129	4
C 	M4 x 12mm Pan Head Screw 701153	8
D 	75/100mm VESA® Adapter 109464	2