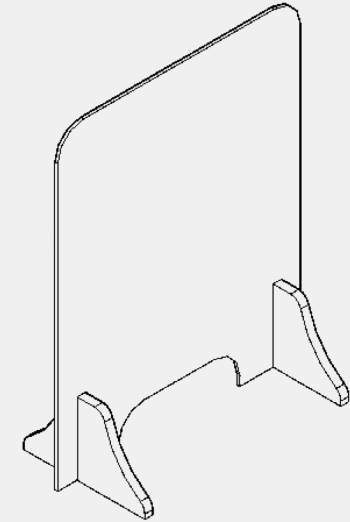
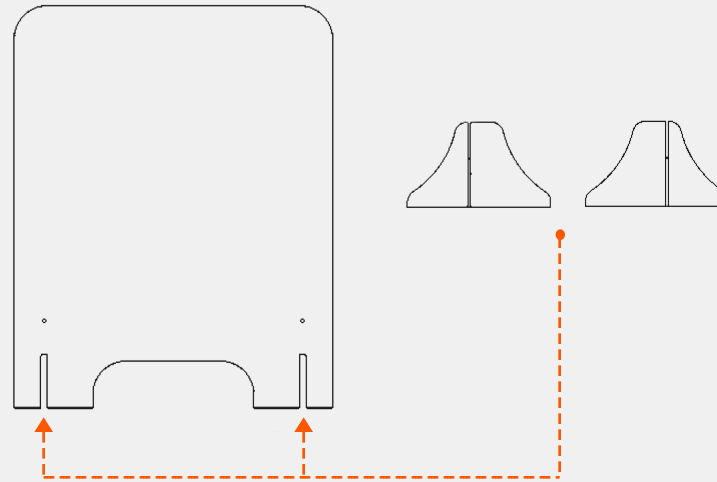


FLEX-SHIELD

POLYCARBONATE SAFEGUARDS

Quick & Easy 1-Step Assembly!

Slide on the included bases...



... & assembly is complete!

IMPORTANT CLEANING & CARE INSTRUCTIONS:



Easily clean surface using neutral soap & water or other Plastic Safe Cleaners.

Use a microfiber or soft cloth and rinse well with clean water.



Avoid commercial alcohol or ammonia-based disinfectants, as these may cause crazing or damage.

Use only compatible Polycarbonate Disinfectants.

Compatible polycarbonate disinfectants include:

- sBioMed Steriplex SD*
- Safetec Surface Wipes*
- Contec Healthcare Perodox RTU*
- Contact Healthcare PS-911 EB Prostat Sterile Wipes.*