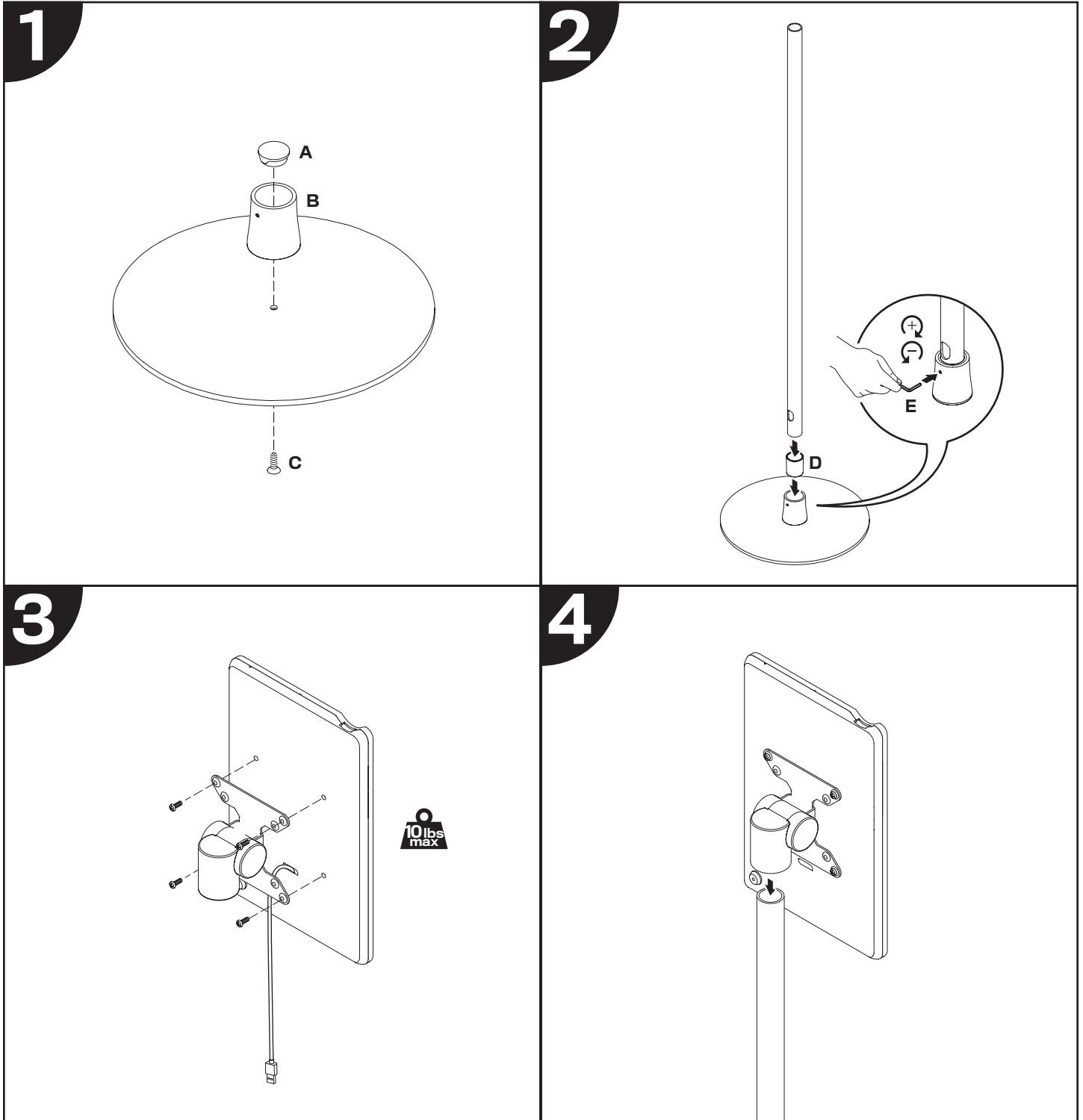
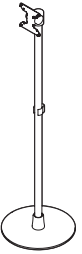
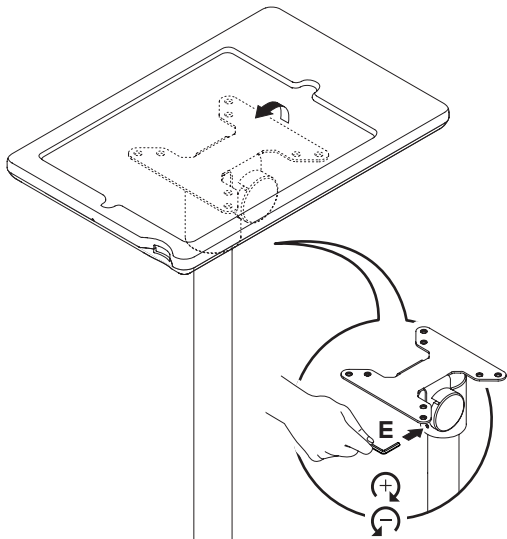


Innovative Ergonomic Solutions companies

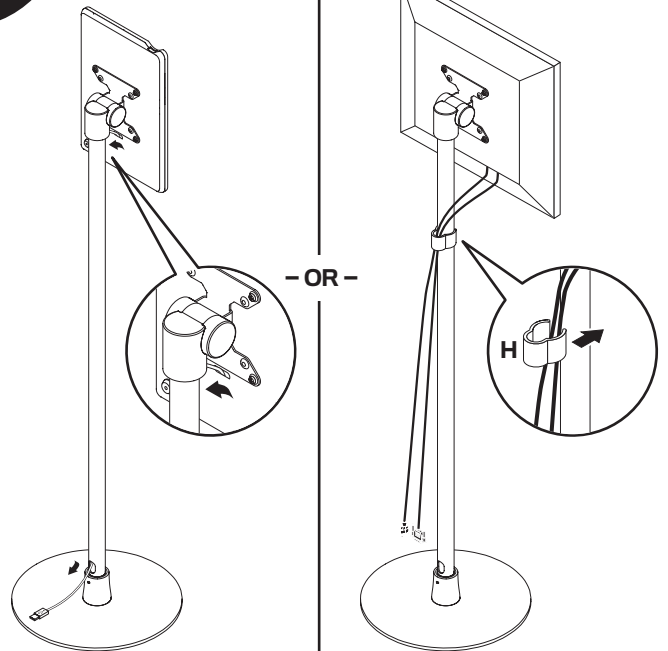
MODEL 9231





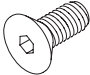
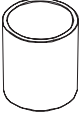
5

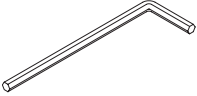
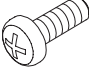
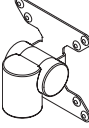


6



MODEL 9231

ITEM	DESCRIPTION / PART NO.	
A	Washer 110621	1
		
B	Mount Cup	1
		
C	M6 x 20 mm Flat Head Socket Screw 701857	1
		
D	Mount Cup Bushing 110619	1
		

ITEM	DESCRIPTION / PART NO.	
E	2 mm Allen Key 110126	1
		
F	M4 x 12 mm Phillips Pan Head Screw 702096	1 (4-pack)
		
G	Light Duty Pole Mount Tilter 410740	1
		
H	Cable Clip 104533	1
