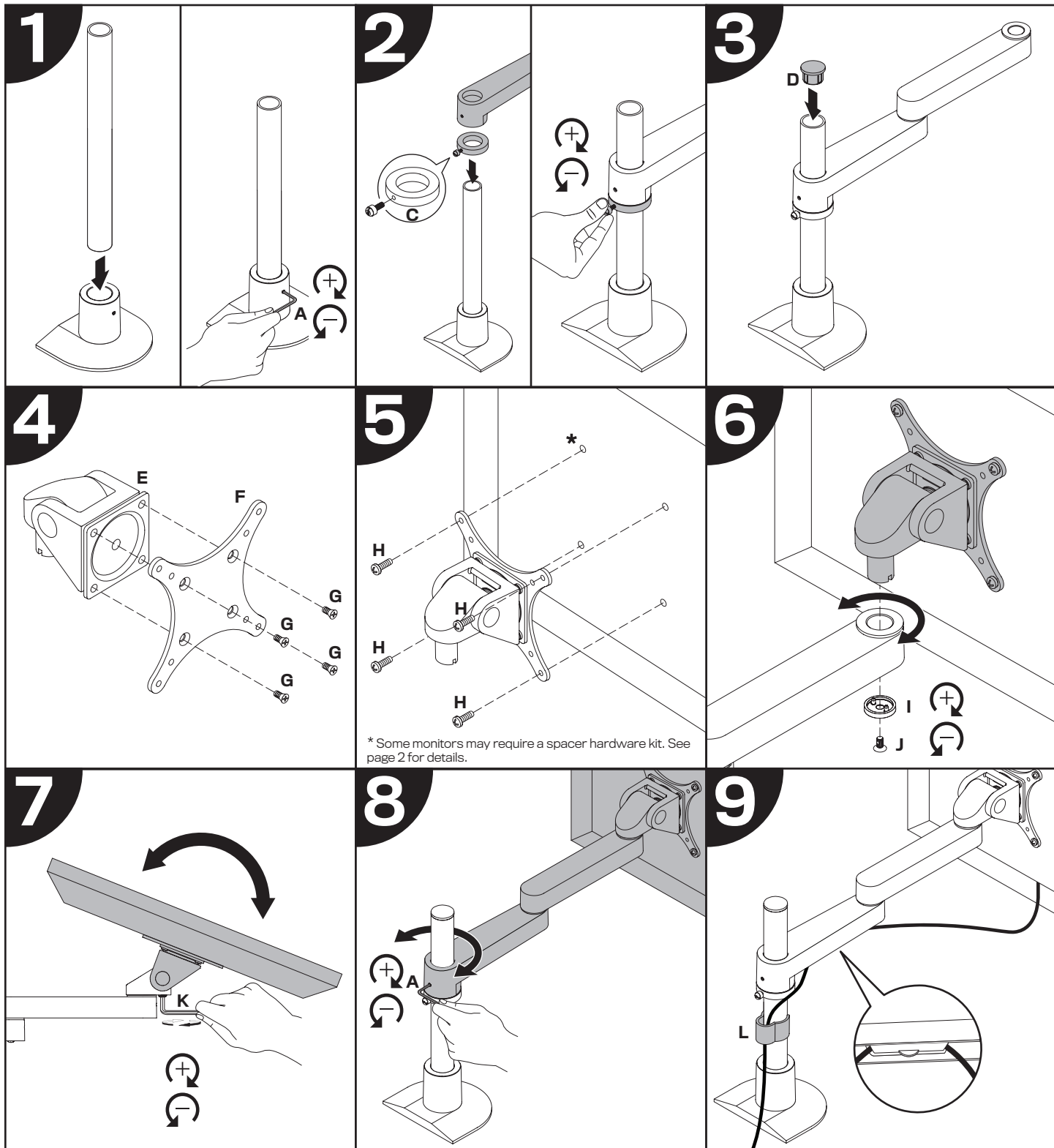
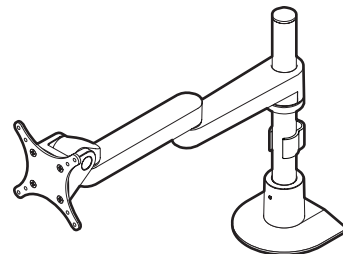
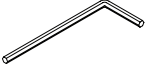
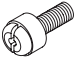


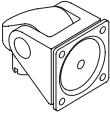




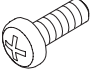


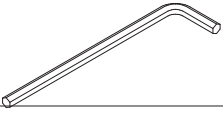
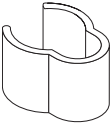
Innovative Ergonomic Solutions companies

# MODEL 9130

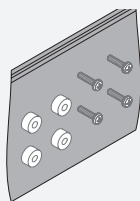
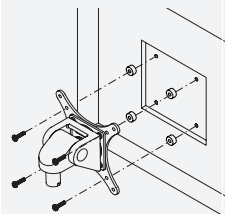


# MODEL 9130

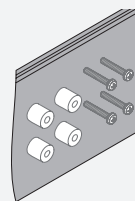
ITEM	DESCRIPTION / PART NO.	
A	<b>3/32" Allen Wrench</b> 700146	<b>1</b>
		
B	<b>10-32 x 1/2" Thumbscrew</b> 700959	<b>1</b>
		
C	<b>Collar</b> 701318	<b>1</b>
		
D	<b>Pole Cap</b> 110022	<b>1</b>
		
E	<b>Monitor Tilter</b> 405397	<b>1</b>
		
F	<b>75/100mm VESA® Adapter Plate</b> 105587	<b>1</b>
		

ITEM	DESCRIPTION / PART NO.	
G	<b>10-32 x 3/8" Phillips Flat Head Screw</b> 702281	<b>1</b> (4-pack)
		
H	<b>M4 x 12mm Phillips Pan Head Screw</b> 702096	<b>1</b> (4-pack)
		
I	<b>Dog Washer</b> 105189	<b>1</b>
		
J	<b>10-32 x 3/8" FPhMS w/Lock Patch</b> 705198	<b>1</b>
		
K	<b>7/32" Allen Wrench</b> 701127	<b>1</b>
		
L	<b>Cable Clip</b> 104533	<b>1</b>
		

**OPTIONAL SPACER KITS** In some cases, the mounting surface on your monitor may be recessed further than permitted by VESA® standards. As a result, a spacer kit may be required.



**.25" Spacer Hardware Kit**  
 (4) .25" Spacers  
 (4) M4 x 18mm Phillips Pan Head Screws  
 Order # P404923-B



**.5" Spacer Hardware Kit**  
 (4) .5" Spacers  
 (4) M4 x 25mm Phillips Pan Head Screws  
 Order # P404923-C