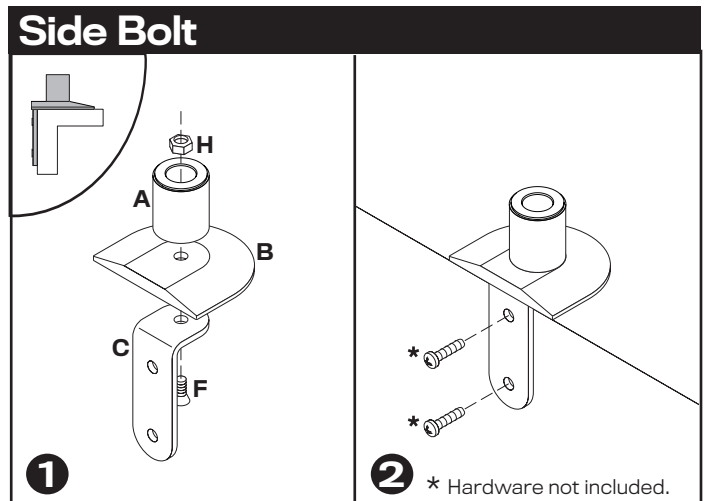
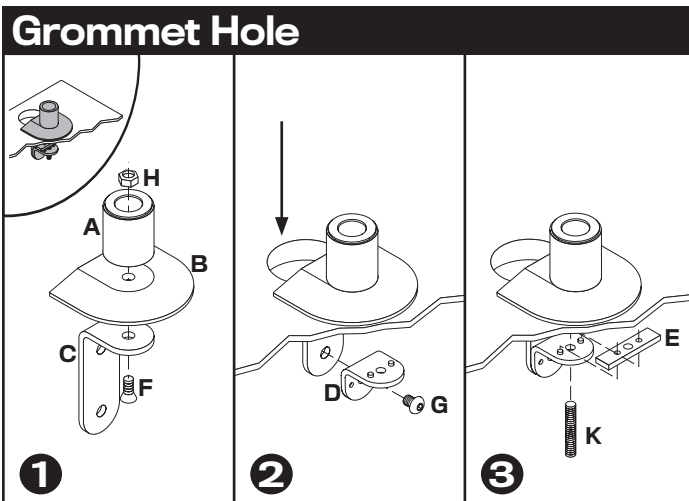
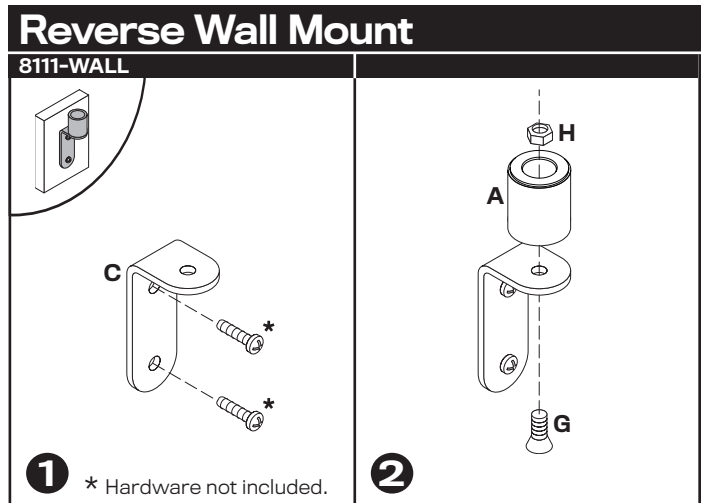
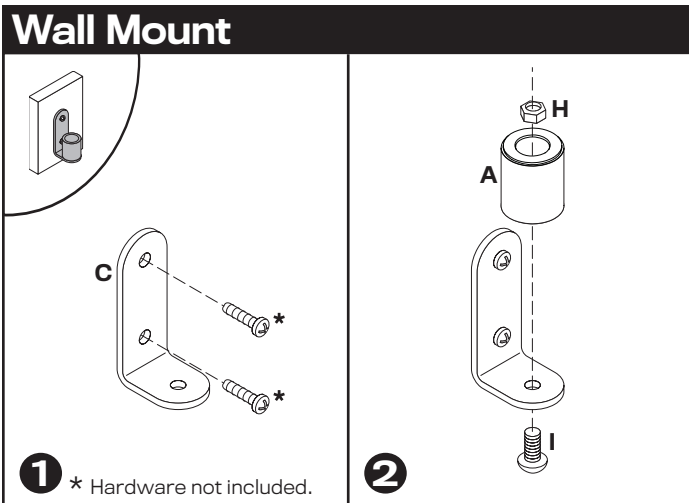
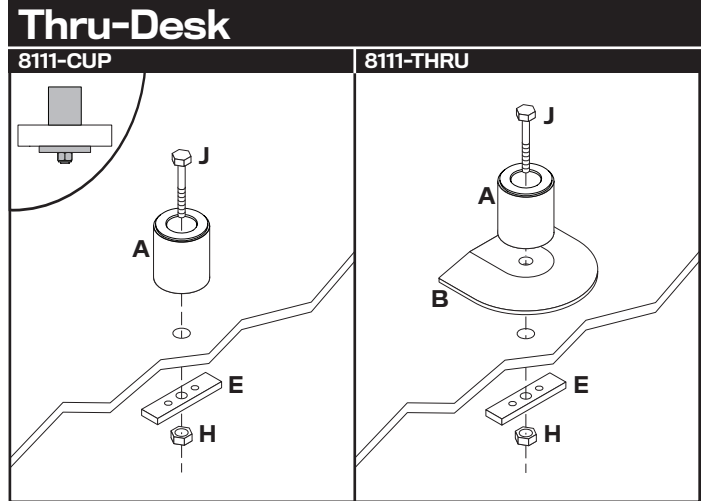
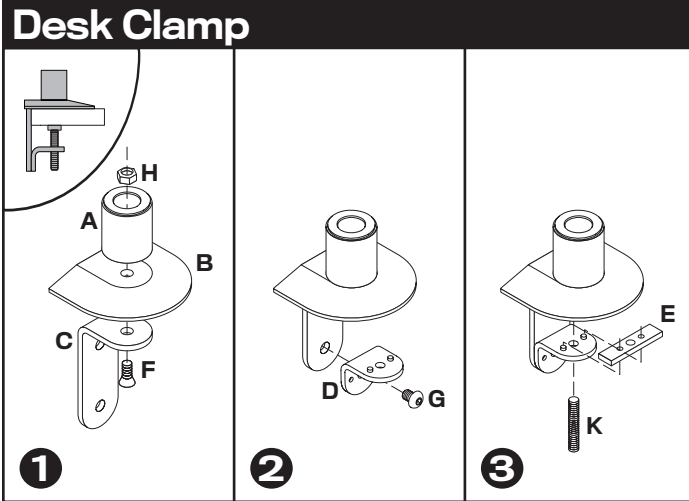
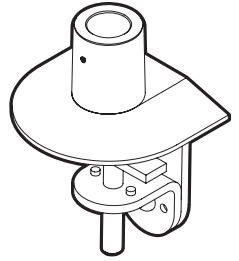


Innovative Ergonomic Solutions companies


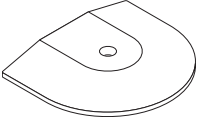
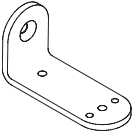
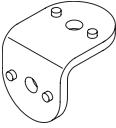
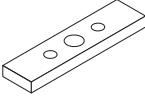
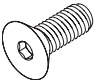
# FLEXMOUNT® 8111

## Installation Instructions



# FLEXMOUNT® 8111

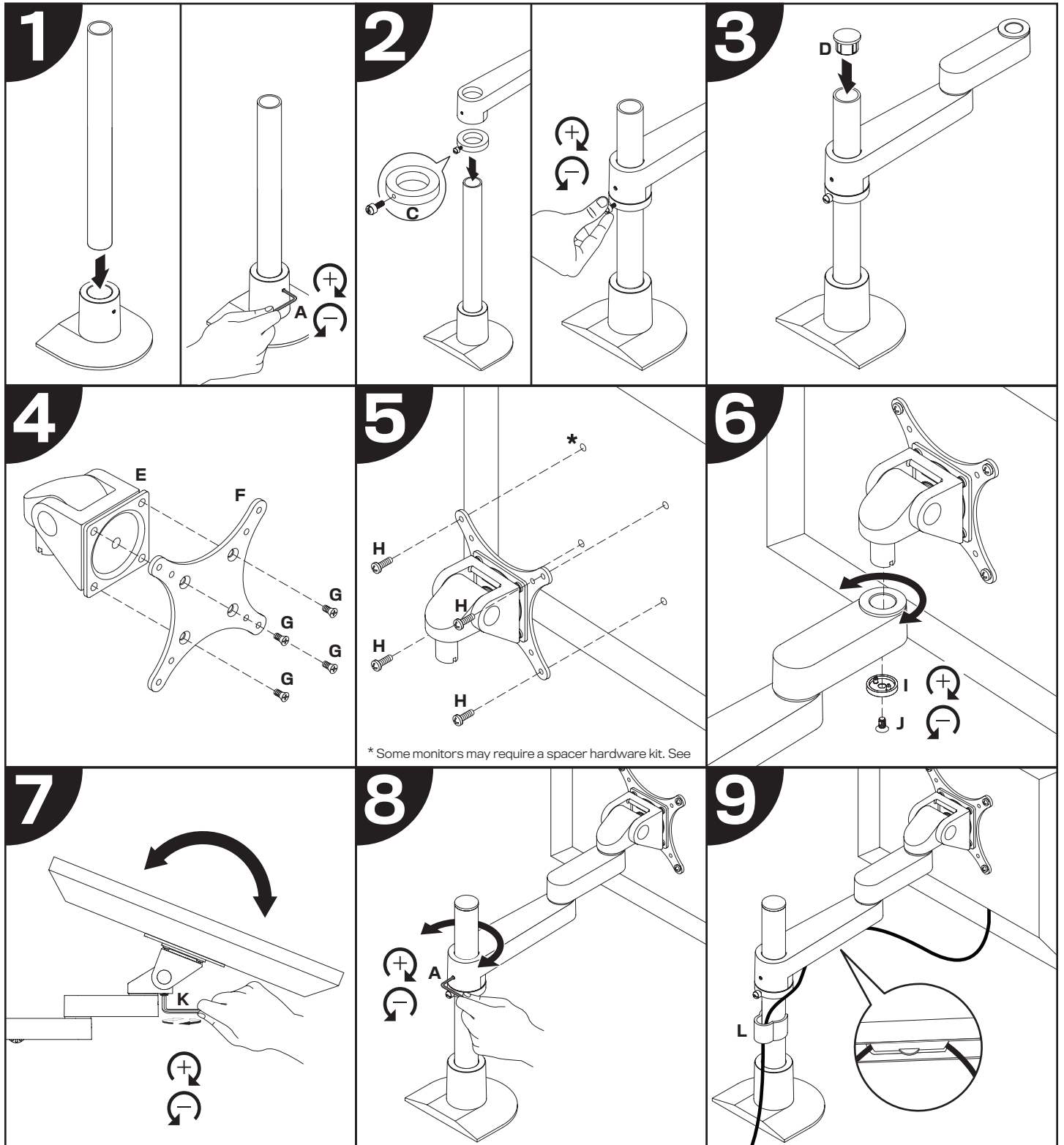
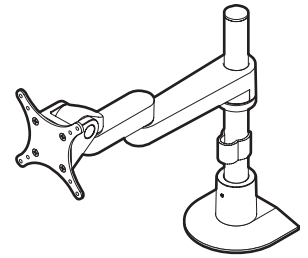
## Parts List

ITEM QUANTITY	DESCRIPTION / PART NO.
A 	<b>Mount Column</b> 401328      1
B 	<b>Base Plate</b> 406656      1
C 	<b>Large "L" Bracket</b> 701117      1
D 	<b>Small "L" Bracket</b> 111728      1
E 	<b>Rectangular Spacer</b> 701544      1
F 	<b>3/8-16 x 1" Flat Socket Cap Screw</b> 1 701124

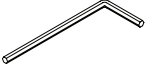
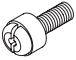


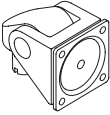

ITEM QUANTITY	DESCRIPTION / PART NO.
G 	<b>3/8-16 x 1/2" BHSCS</b> 1 702898
H 	<b>3/8-16 Nylon Stop Nut</b> 1 701418
I 	<b>3/8-16 x 7/8" Button Socket Cap Screw</b> 1 701122
J 	<b>3/8-16 x 2-1/2" Hex Head Bolt</b> 1 700268
K 1 	<b>1/2-13 x 3" Socket Set Screw</b> 701126


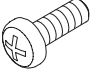


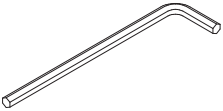
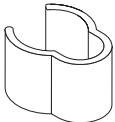
Innovative Ergonomic Solutions companies

# MODEL 9112

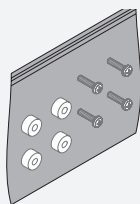
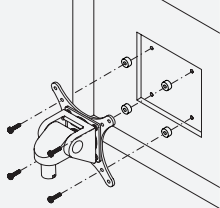


# MODEL 9112

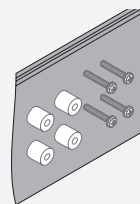
ITEM	DESCRIPTION / PART NO.	
A	<b>3/32" Allen Wrench</b> 700146	1
		
B	<b>10-32 x 1/2" Thumbscrew</b> 700959	1
		
C	<b>Collar</b> 701318	1
		
D	<b>Pole Cap</b> 110022	1
		
E	<b>Monitor Tilter</b> 405397	1
		
F	<b>75/100mm VESA® Adapter Plate</b> 105587	1
		

ITEM	DESCRIPTION / PART NO.	
G	<b>10-32 x 3/8" Phillips Flat Head Screw</b> 702281	1 (4-pack)
		
H	<b>M4 x 12mm Phillips Pan Head Screw</b> 702096	1 (4-pack)
		
I	<b>Dog Washer</b> 105189	1
		
J	<b>10-32 x 3/8" FPhMS w/Lock Patch</b> 705198	1
		
K	<b>7/32" Allen Wrench</b> 701127	1
		
L	<b>Cable Clip</b> 104533	1
		

**OPTIONAL SPACER KITS** In some cases, the mounting surface on your monitor may be recessed further than permitted by VESA® standards. As a result, a spacer kit may be required.



**.25" Spacer Hardware Kit**  
 (4) .25" Spacers  
 (4) M4 x 18mm Phillips Pan Head Screws  
 Order # P404923-B

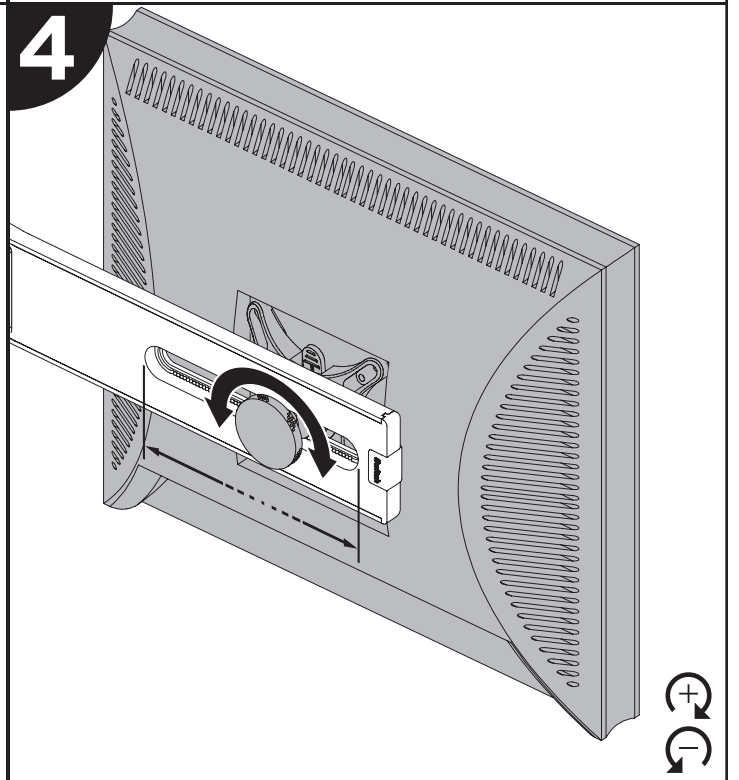
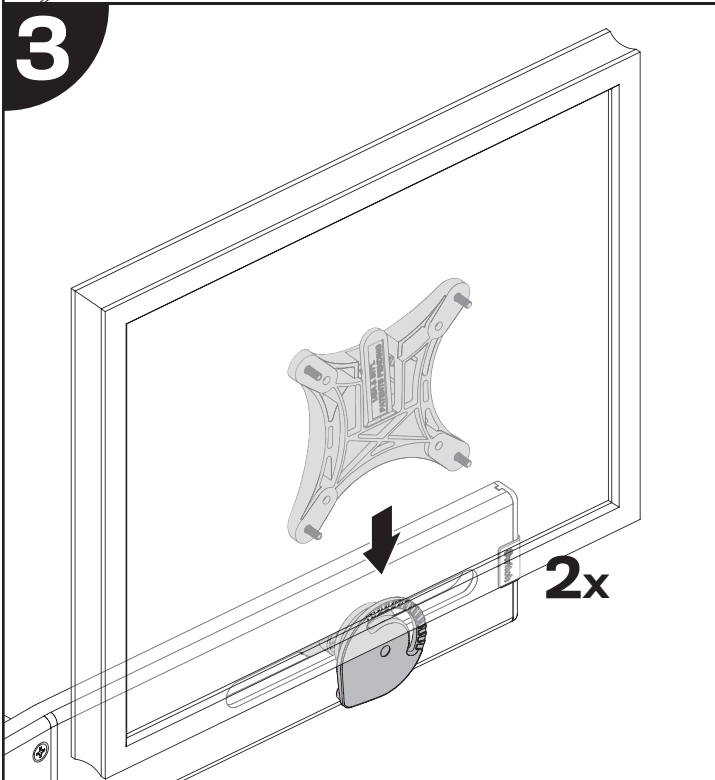
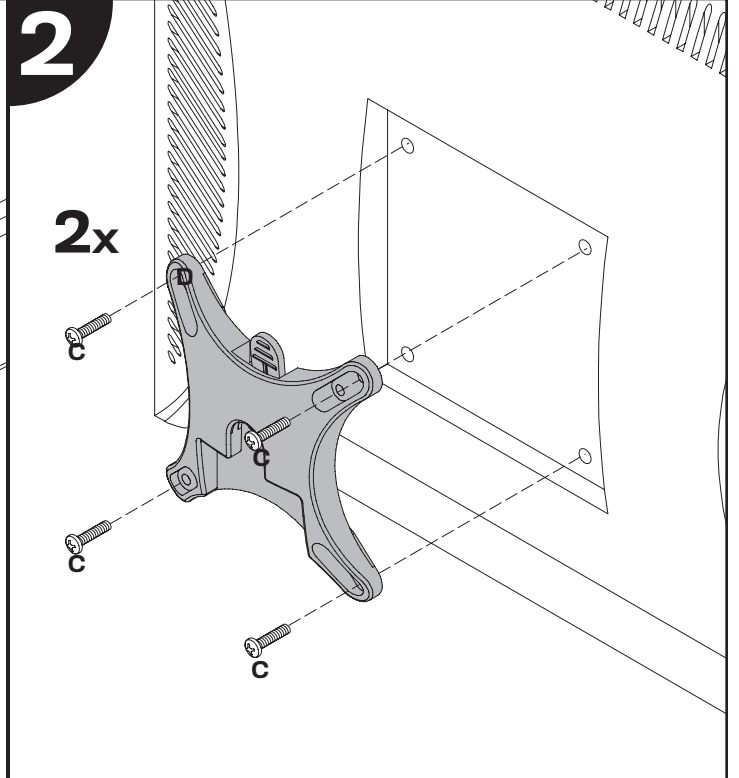
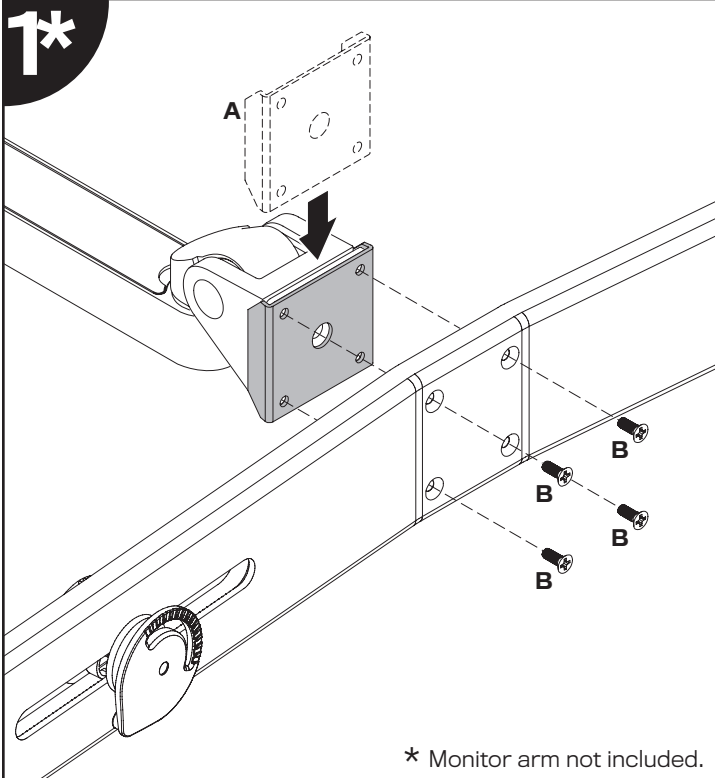
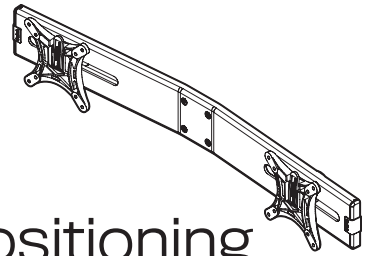


**.5" Spacer Hardware Kit**  
 (4) .5" Spacers  
 (4) M4 x 25mm Phillips Pan Head Screws  
 Order # P404923-C

Innovative Ergonomic Solutions companies

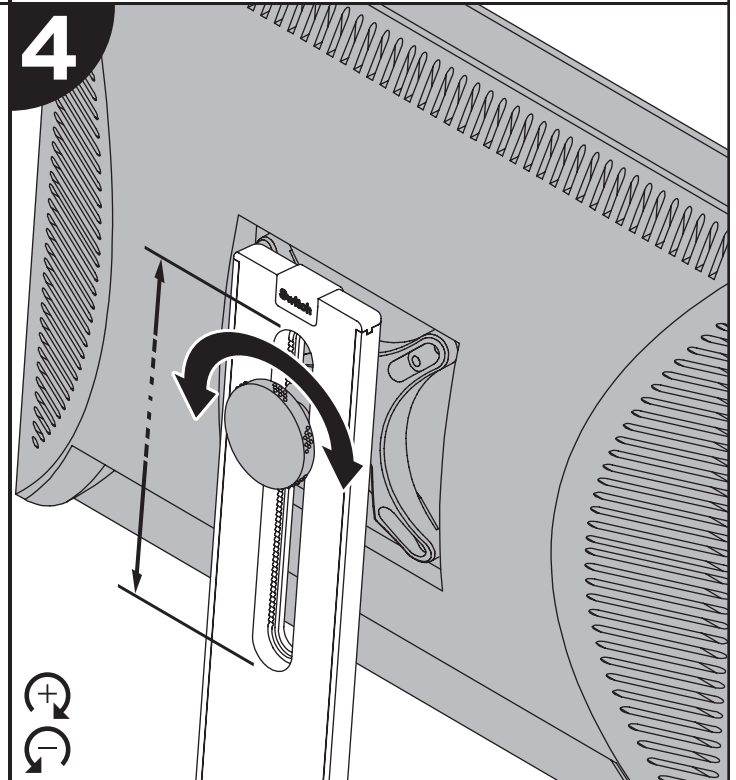
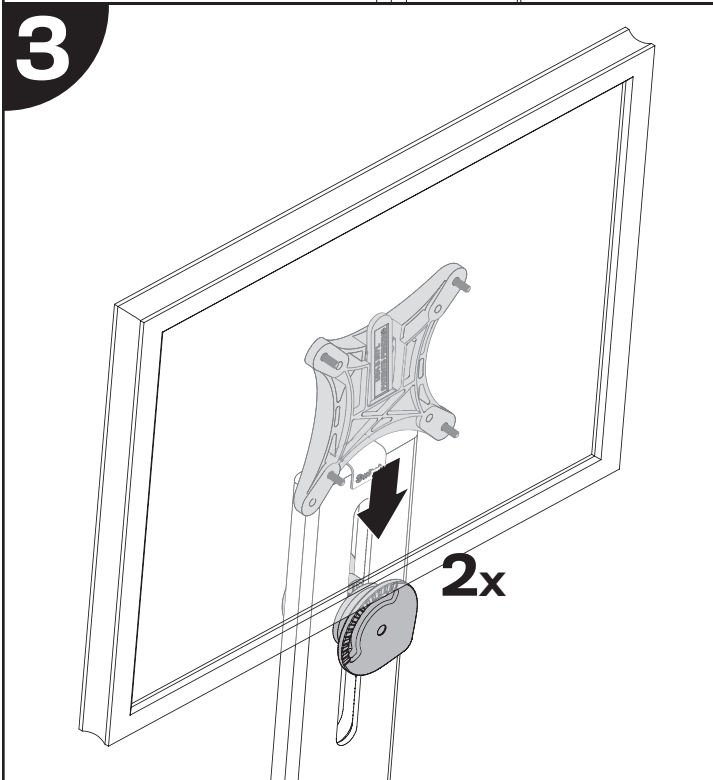
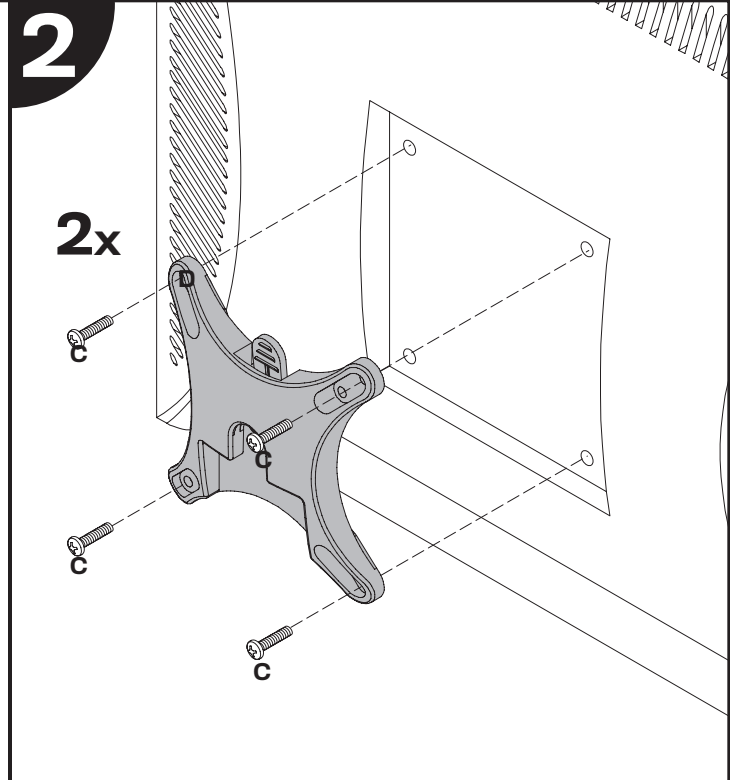
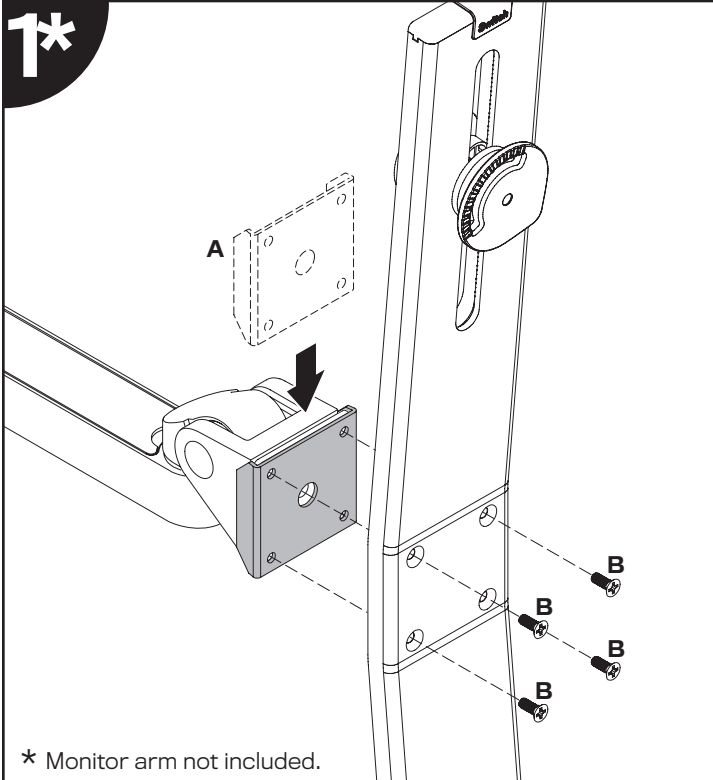
# SWITCH™

## Installation Instructions | Horizontal Positioning



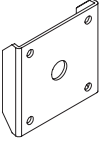
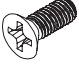
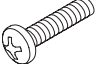
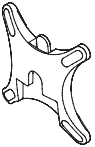
# SWITCH™

## Installation Instructions | Vertical Positioning



# SWITCH™

## Parts List

ITEM	DESCRIPTION / PART NO.	QUANTITY
A 	<b>Rotation Prevention Bracket</b> 106271	<b>1</b>
B 	<b>10-32 x 1/2" FPhMS</b> 709129	<b>4</b>
C 	<b>M4 x 12mm Pan Head Screw</b> 701153	<b>8</b>
D 	<b>75/100mm VESA® Adapter</b> 109464	<b>2</b>