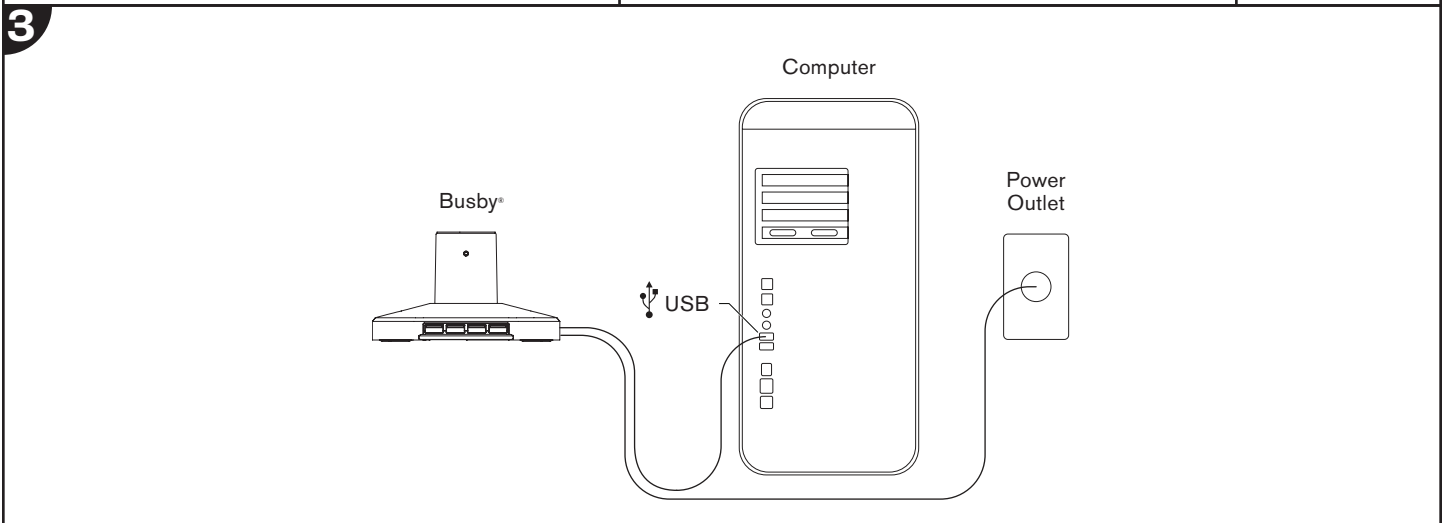
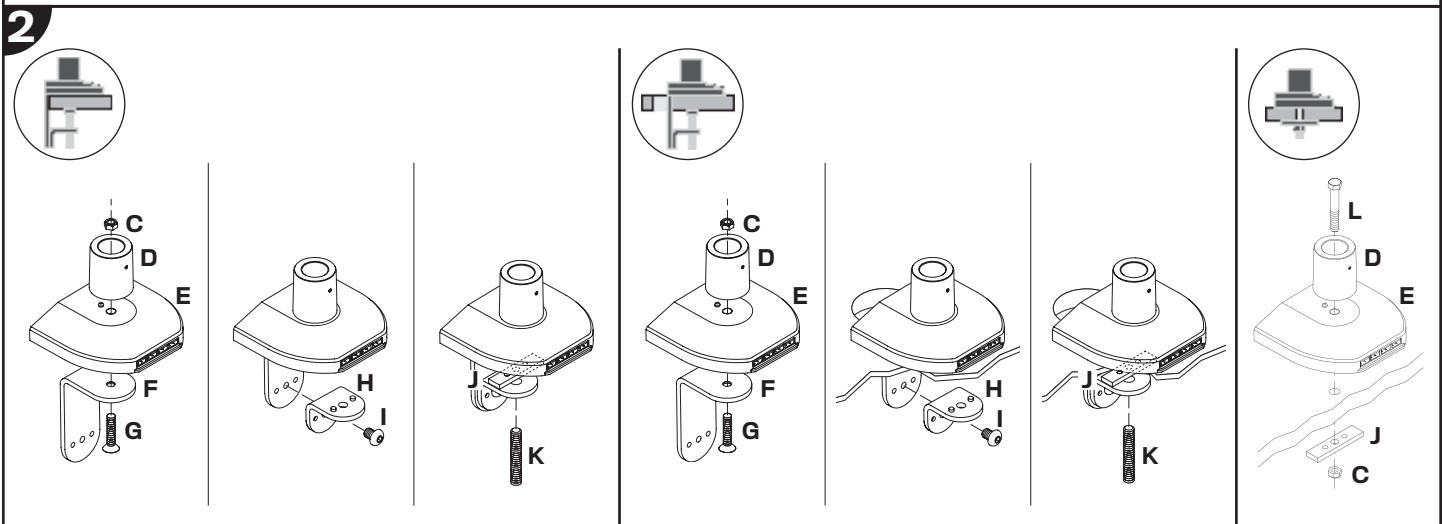
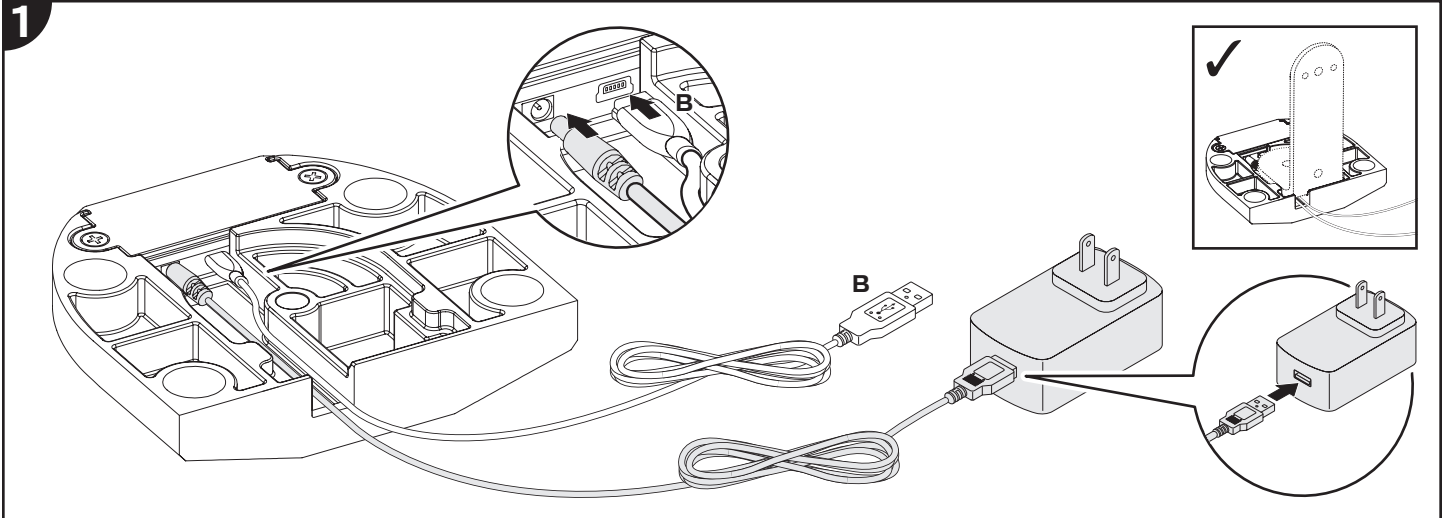
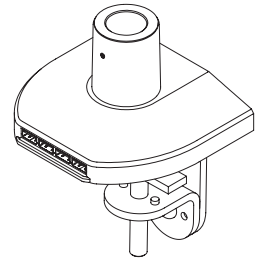


Innovative Ergonomic Solutions companies

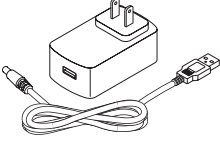




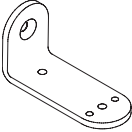
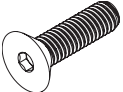
BUSBY® 8451

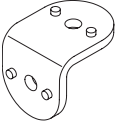
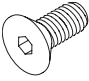
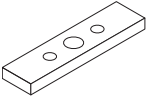
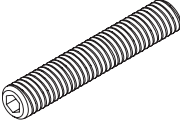
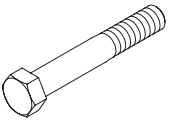
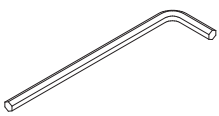

Installation Instructions



BUSBY® 8451

Parts List

ITEM QUANTITY	DESCRIPTION / PART NO.
A	 Power Cord & Adapter 1 710884
B	 USB Data Cable 1 710600
C	 3/8-16 Nylon Stop Nut 1 701418
D	 Mount Column 1 401328
E	 Busby® Base Plate 1 410732
F	 Large "L" Bracket 1 702828
G	 3/8-16 x 1-3/4" Flat Socket Cap Screw 1 710644

ITEM QUANTITY	DESCRIPTION / PART NO.
H	 Small "L" Bracket 1 111728
I	 3/8-16 x 1/2" Flat Socket Cap Screw 1 702898
J	 Rectangular Spacer 1 701544
K	 1/2-13 x 3" Socket Set Screw 1 701126
L	 3/8-16 x 3" Hex Head Bolt 1 701964
M	 7/32" Allen Wrench 1 701127
N	 3/32" Allen Wrench 1 700146